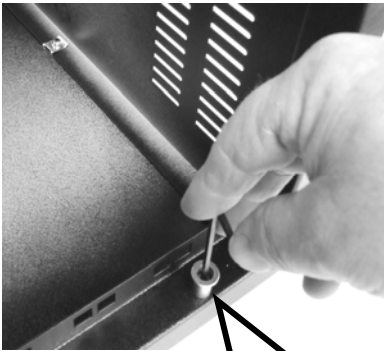


**MOUNTING INSTRUCTIONS FOR THE  
R12 & R16 RACK WALL BRACKETS**



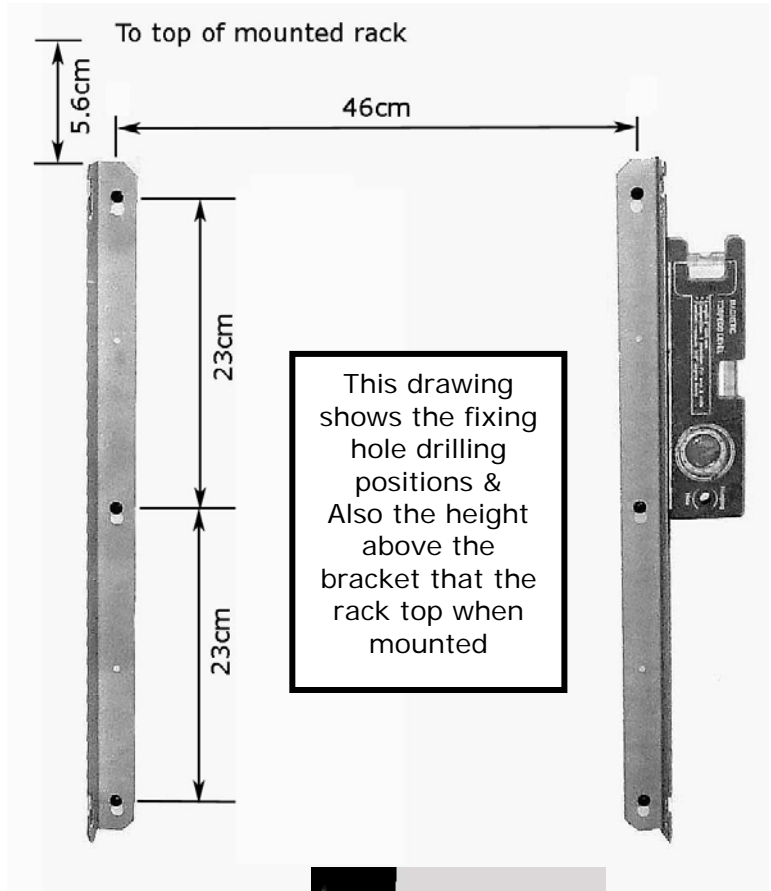
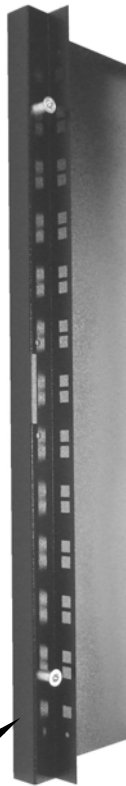
Your kit has a pair  
of Brackets (L & R)  
4 Shouldered Bushes  
4 M4 Cap Head Bolts  
4 M4 Serrated Flange Nuts



Fit the 4 Shouldered  
Bushes into the 4 holes at  
the back of the rack.  
Tighten using a 3mm  
Allen key

This picture shows the  
2 bushes fitted on one  
side of an R12C

**WARNING**  
CARE MUST BE TAKEN  
WHEN SELECTING AND  
FITTING THE WALL  
MOUNT FIXINGS AS  
THESE CARRY THE FULL  
WEIGHT OF RACK & ITS  
CONTENTS



This drawing  
shows the fixing  
hole drilling  
positions &  
Also the height  
above the  
bracket that the  
rack top when  
mounted

Finally offer the  
rack up to the  
wall bracket -  
once engaged,  
let the unit  
drop down &  
lock in place,  
as shown.



**RACKZ DOES NOT ACCEPT RESPONSABILITY FOR THE STRENGTH OF WALL ATTACHMENT FIXINGS**