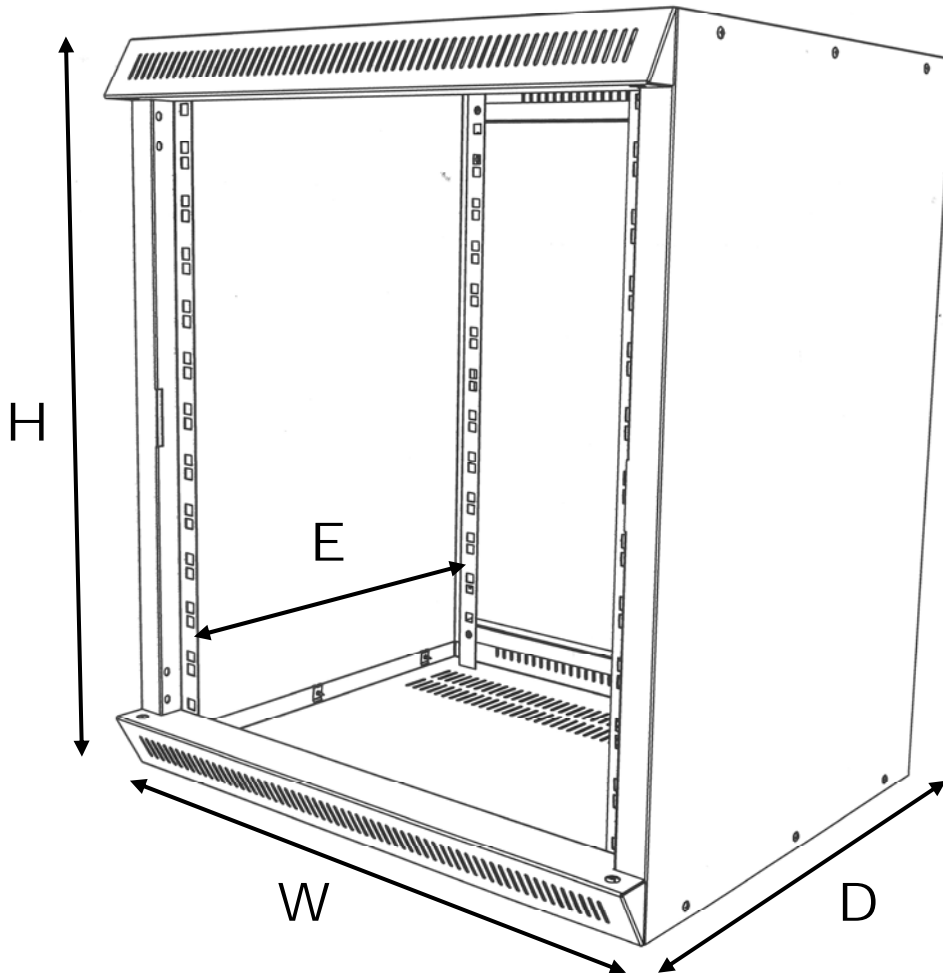


# *Rackz* Limited

Unit 10 21-23 Wood Road - Kingswood - BRISTOL - BS15 8DT - UK  
Tel : (+44) 01179352727 Fax : (+44) 0117352733 - Email: [djr@rackz.org](mailto:djr@rackz.org)



| Prefix N° | Racking Space R | Overall Height H | Wall Racks D | Contactor Depth D | Contactor 600 Depth D | Mounting Depth E |     |     | Overall Width W |
|-----------|-----------------|------------------|--------------|-------------------|-----------------------|------------------|-----|-----|-----------------|
|           |                 |                  |              |                   |                       | WRK              | STD | 600 |                 |
| R02C      | 2U Hi           | 138              | -            | 453               | -                     | -                | 393 | 560 | 543             |
| R04C      | 4U Hi           | 228              | -            | 453               | -                     | -                | 393 | 560 | 543             |
| R06C      | 6U Hi           | 317              | 250          | 453               | 596                   | 220              | 393 | 560 | 543             |
| R08C      | 8U Hi           | 407              | 250          | 453               | 596                   | 220              | 393 | 560 | 543             |
| R12C      | 12U Hi          | 634              | -            | 457               | 600                   | -                | 393 | 560 | 543             |
| R16C      | 16U Hi          | 814              | -            | 457               | 600                   | -                | 393 | 560 | 543             |
| R20C      | 20U Hi          | 991              | -            | 457               | 600                   | -                | 393 | 560 | 543             |
| R24C      | 24U Hi          | 1169             | -            | 457               | 600                   | -                | 393 | 560 | 543             |
| R28C      | 28U Hi          | 1347             | -            | 457               | 600                   | -                | 393 | 560 | 543             |
| R35C      | 35U Hi          | 1658             | -            | 457               | 600                   | -                | 393 | 560 | 543             |

**ADD 100mm TO OVERALL HEIGHT FOR A CASTOR BASE**